

CODE NUMBER

20021022

DESCRIPTION

ST-2009 Water Closet and SLOAN WES 111 Flushometer.

COMPONENTS

- Flushometer: Code 3760000
- Water Closet: Code 2102009

DETAILS

- Flush Volume: 1.6/1.1 gpf (6.0/4.2 Lpf)
- Nominal Dimensions: 26 ¾" x 14" x 15" (679 x 356 x 381mm)

FLUSHOMETER FEATURES

- Lifting Handle UP initiates reduced flush (1.1 gpf/4.2 Lpf), eliminating liquid and paper waste, saving a 1/2-gallon of water
- Pushing Handle DOWN initiates full flush (1.6 gpf/6.0 Lpf), eliminating all waste
- Metal Non-Hold-Open Handle with Triple Seal Handle Packing
- Sweat Solder Adapter with Cover Tube & Cast Wall Flange with Set Screw
- Non-Hold-Open Handle, Fixed Metering Bypass and No External Volume Adjustment to Ensure Water Conservation
- Diaphragm, Handle Packing and Vacuum Breaker to be molded from PERMEX® Rubber Compound for Chloramine Resistance
- Includes two (2) adhesive backed Metal Wall Plates etched with Instructions

FIXTURE FEATURES

- White Vitreous China
- Elongated bowl
- Floor mounted, floor outlet
- Siphon jet flushing action achieves 1000g Map score when used with any Sloan flushometer
- Water spot area: 10 ½" x 9 ¾" (26 cm x 24 cm)
- 1 ½" I.P.S. top spud inlet
- 2 ½" fully glazed trapway
- Closet bolts and caps included
- Toilet seat not included
- Static load rating of 1000 lbs. (See Notes)
- WaterSense compliant when used with a WaterSense compliant flushometer



COMPLIANCES & CERTIFICATIONS



(cUPC Certified, BAA Compliant, CEC Compliant, CalGreen Compliant, EPD, HPD)

DOWNLOADS

- [WES 111 Installation Instructions](#)
- [SS/ST/SU/WETS/WEUS Fixtures Repair and Maintenance Guide](#)
- [WES 111 Repair and Maintenance Guide](#)
- [Additional Downloads](#)

NOTES

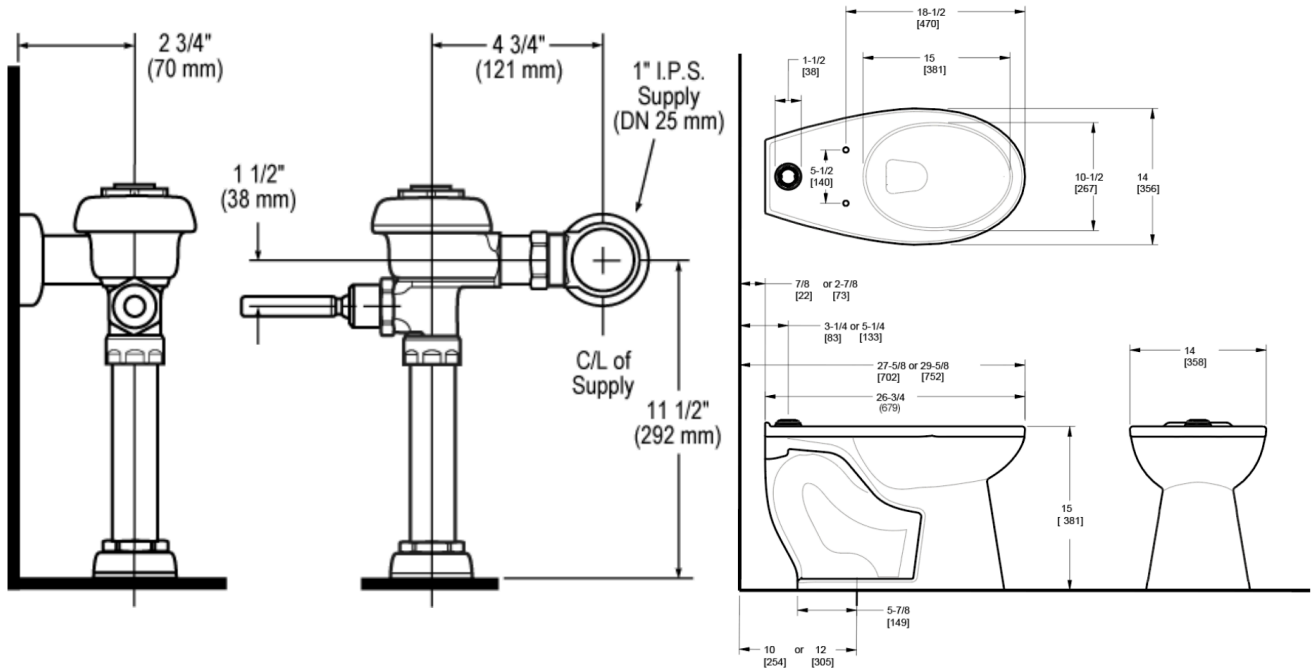
All information contained within this document subject to change without notice.

Static load tested according to the procedure outlined in Section 6.7 of ASME A112.19.2. Not recommended for bariatric use.

Sloan 10500 Seymour Ave, Franklin Park, IL 60131

Phone: 800.982.5839 • Fax: 800.447.8329 • sloan.com

ROUGH-IN



Sloan 10500 Seymour Ave, Franklin Park, IL 60131
Phone: 800.982.5839 • Fax: 800.447.8329 • sloan.com